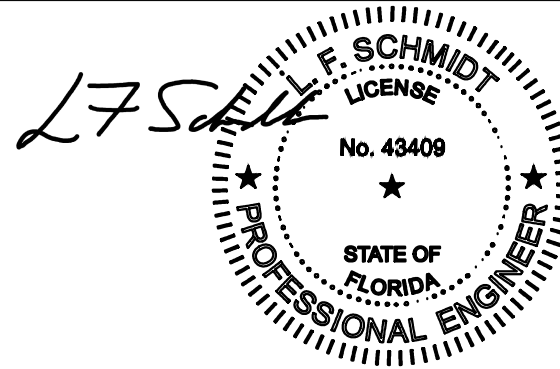




215 EAST ROOSEVELT AVE.  
ZEELAND, MI 49464



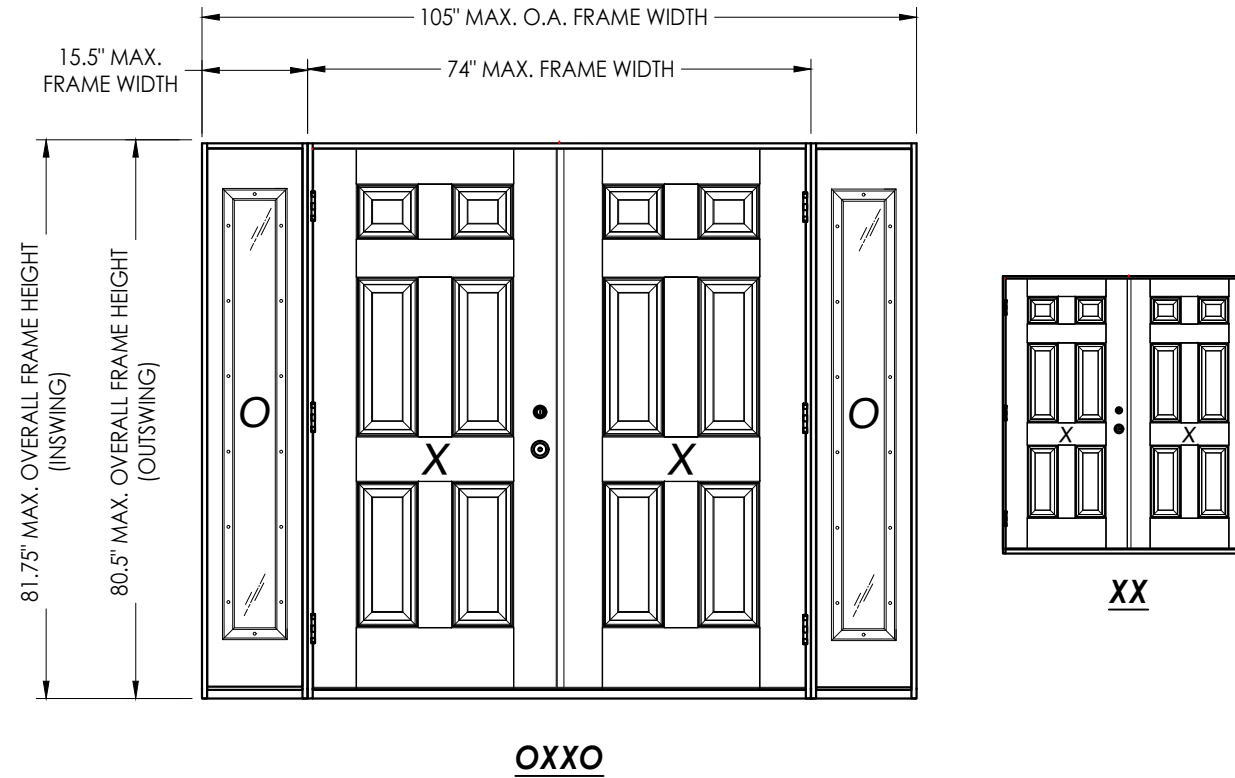
This item has been digitally signed and sealed by L. F. Schmidt, P.E. on the date adjacent to the seal. Printed copies of this document are not considered signed and sealed and the signature must be verified on any electronic copies.

THIS PRODUCT APPROVAL IS VALID ONLY FOR THE STATE OF FLORIDA

# OPAQUE FIBERGLASS DOOR DOUBLE w/ or w/out SIDELITES INSWING/OUTSWING "IMPACT"

## GENERAL NOTES

- This product has been evaluated and is in compliance with the 8th Edition (2023) Florida Building Code (FBC) structural requirements excluding the "High Velocity Hurricane Zone" (HVHZ).
- Product anchors shall be as listed and spaced as shown on details. Anchor embedment to base material shall be beyond wall dressing or stucco.
- When used in areas requiring wind borne debris protection, this product complies with FBC Sections 1609.1.2 & R301.2.1.2 and does not require an impact resistant covering. This product meets missile level "D" and excludes Wind Zone 4 as defined in ASTM E 1996 and FBC Sections 1609.1.2.2 & R301.2.1.2.1.
- For 2x stud framing construction, anchoring of these units shall be the same as that shown for 2x buck masonry construction.
- Site conditions that deviate from the details of this drawing require further engineering analysis by a licensed engineer or registered architect.



CONFIGURATION	MAX. FRAME DIMENSION	DESIGN PRESSURE (PSF) INSWING		DESIGN PRESSURE (PSF) OUTSWING	
		POSITIVE	NEGATIVE	POSITIVE	NEGATIVE
XX	74.0" x 81.75"	+50.0	-50.0	+50.0	-50.0
OXXO	105.0" x 81.75"	+50.0	-50.0	+50.0	-50.0

TABLE OF CONTENTS			
SHEET #	DESCRIPTION	SHEET #	
1	Typical Elevations, Design Pressures & General Notes	7	Horizontal & Vertical Cross Sections (1X Buck)
2	Door & Sidelite Panel Details	8	Horizontal & Vertical Cross Sections (Direct to Masonry)
3	Lite Frame Glazing Details	9	Vertical Cross Sections (Thresholds)
4	Elevations	10	Buck Anchoring
5	Horizontal Cross Sections	11	Frame Anchoring & Hardware Details
6	Horizontal & Vertical Cross Sections (2X Buck)	12	Bill of Materials & Components

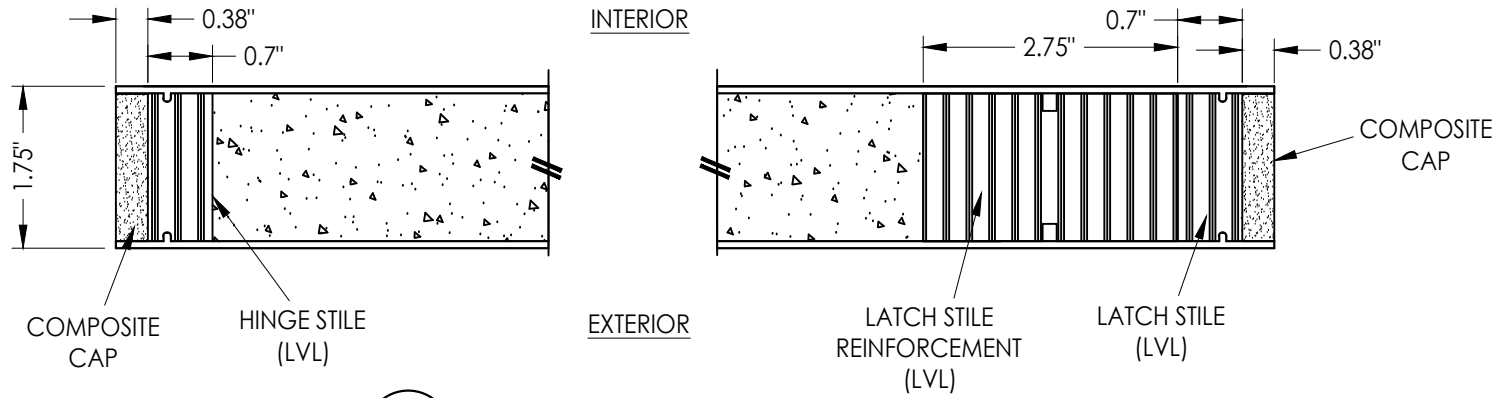
Documents Prepared By:  
Lyndon F. Schmidt  
P.E. No. 43409

*RW*  
BUILDING CONSULTANTS, INC.  
P.O. Box 230, Vairico, FL 33595  
Phone No.: 813.659.9197  
FBPE Registry No. 9813

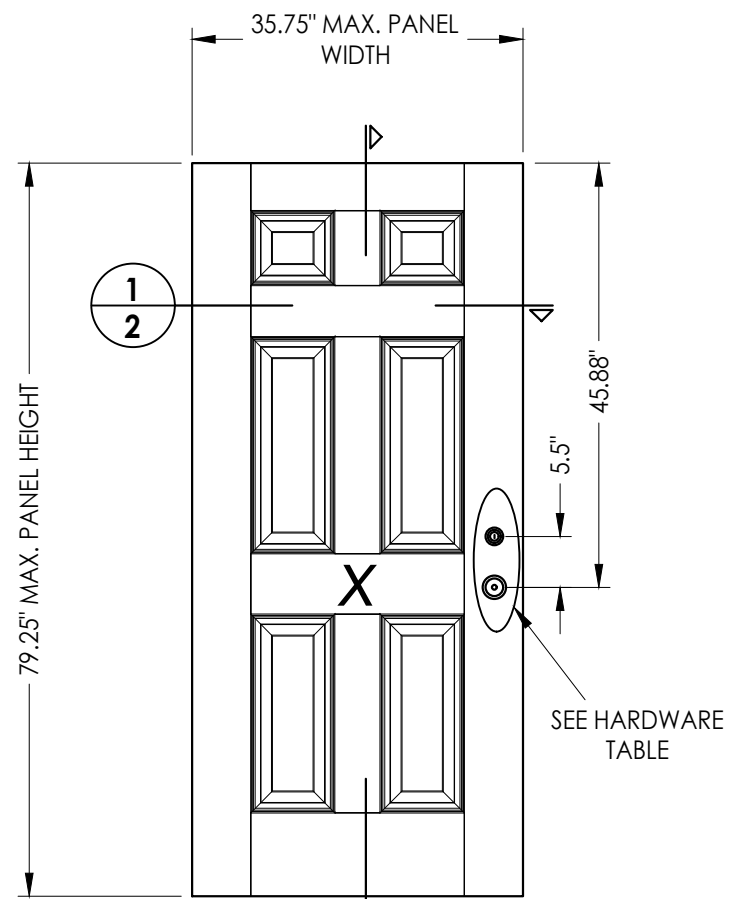
PRODUCT: ODL FIBERGLASS DOOR  
PART OR ASSEMBLY: TYPICAL ELEVATION, DESIGN PRESSURES & GENERAL NOTES

NO.	DATE	BY	REVISIONS

DATE: 2/15/24  
SCALE: N.T.S.  
DWG. BY: LFS  
CHK. BY: RW  
DRAWING NO.: FL-46116.9  
SHEET 1 OF 12

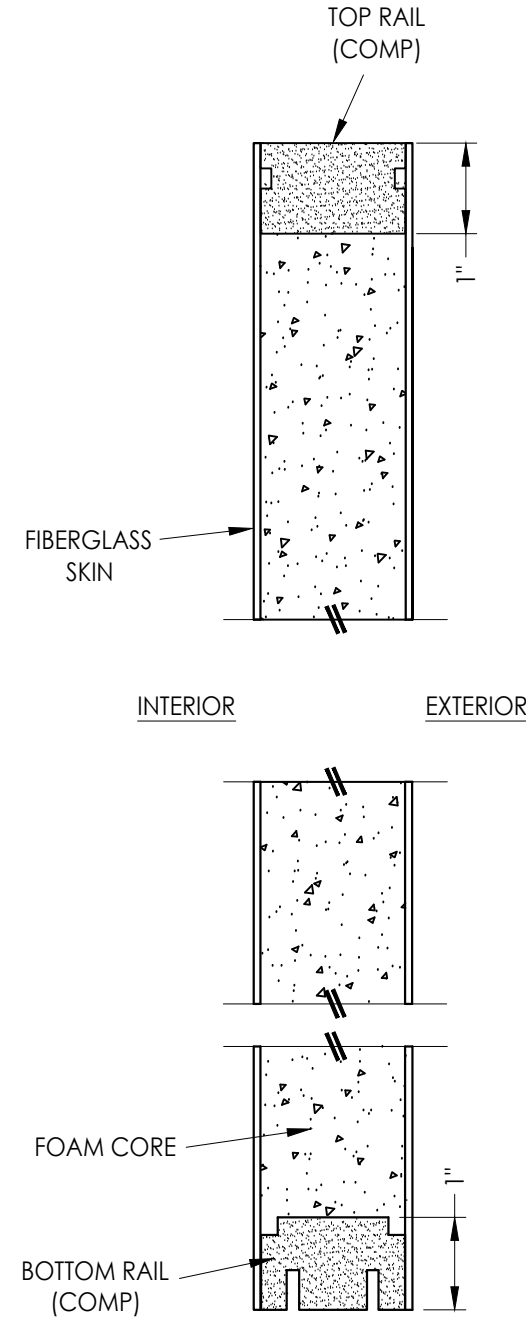


**1**  
**2** HORIZONTAL CROSS SECTION



**40** FIBERGLASS DOOR PANEL  
ODL

HARDWARE CHART	
MANUFACTURER	MODEL
KWIKSET	KNOB: SIGNATURE SERIES
	DEADBOLT: SIGNATURE SERIES (980)
SCHLAGE	KNOB: F SERIES
	DEADBOLT: B60 SERIES



**2**  
**2** VERTICAL CROSS SECTION

Documents Prepared By:  
Lyndon F. Schmidt  
P.E. No. 43409

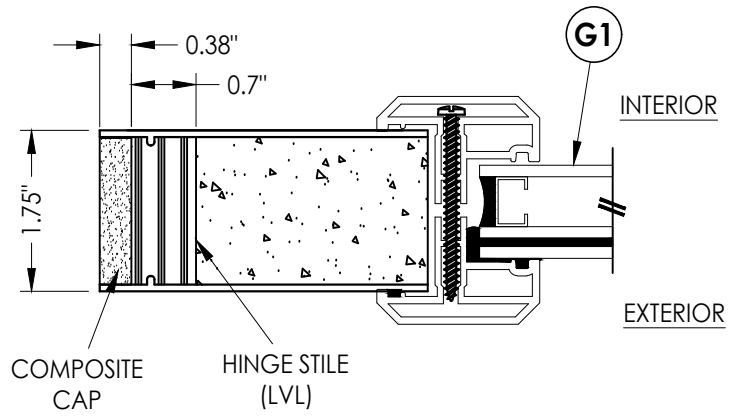
**RW** BUILDING CONSULTANTS, INC.  
P.O. Box 230, Valrico, FL 33595  
Phone No.: 813.659.9197  
FBPE Registry No. 9813

PRODUCT: ODL  
FIBERGLASS DOOR

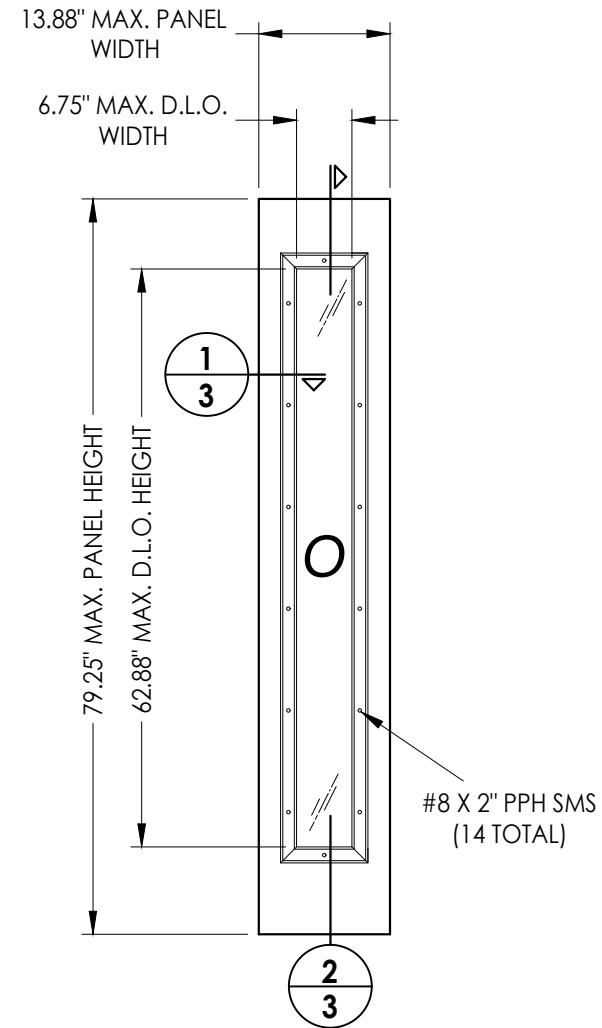
PART OR ASSEMBLY:  
DOOR & SIDELITE  
PANEL DETAILS

NO.	DATE	BY

DATE: 2/15/24  
SCALE: N.T.S.  
DWG. BY: LFS  
CHK. BY: RW  
DRAWING NO.:  
FL-46116.9  
SHEET 2 OF 12

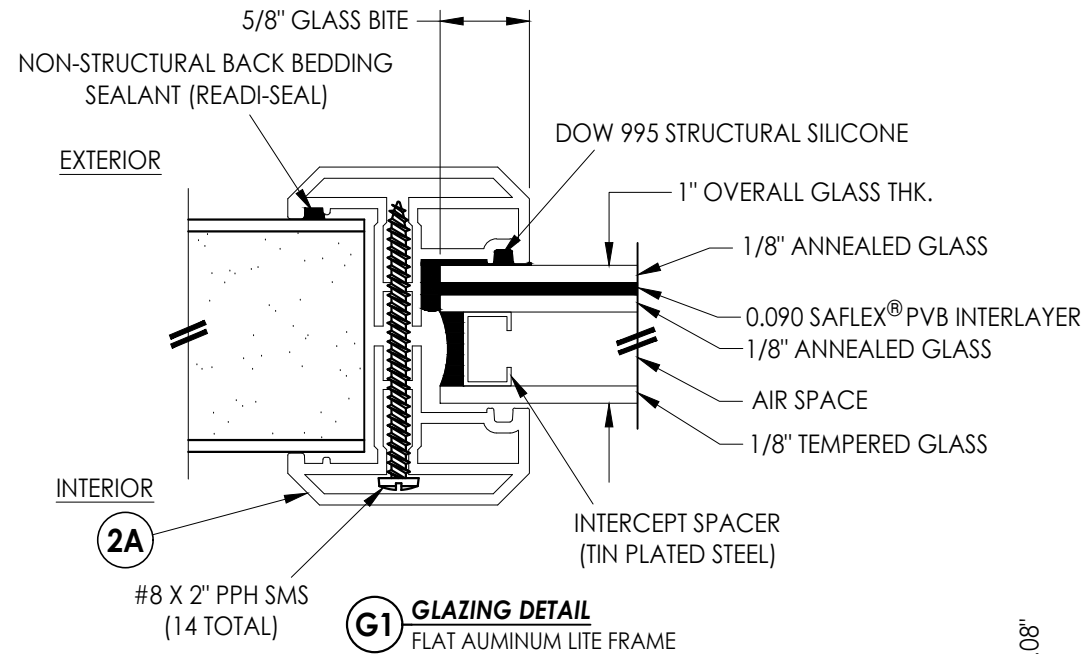


**1**  
**3** HORIZONTAL CROSS SECTION

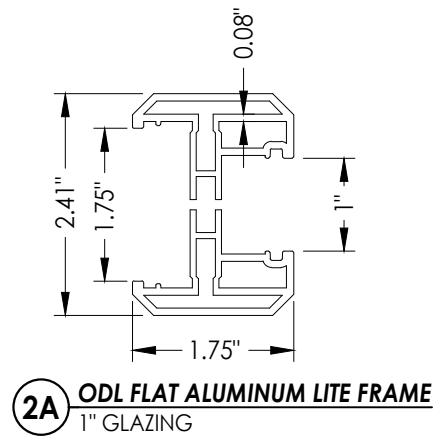


**50** FIBERGLASS SIDELITE PANEL  
ODL

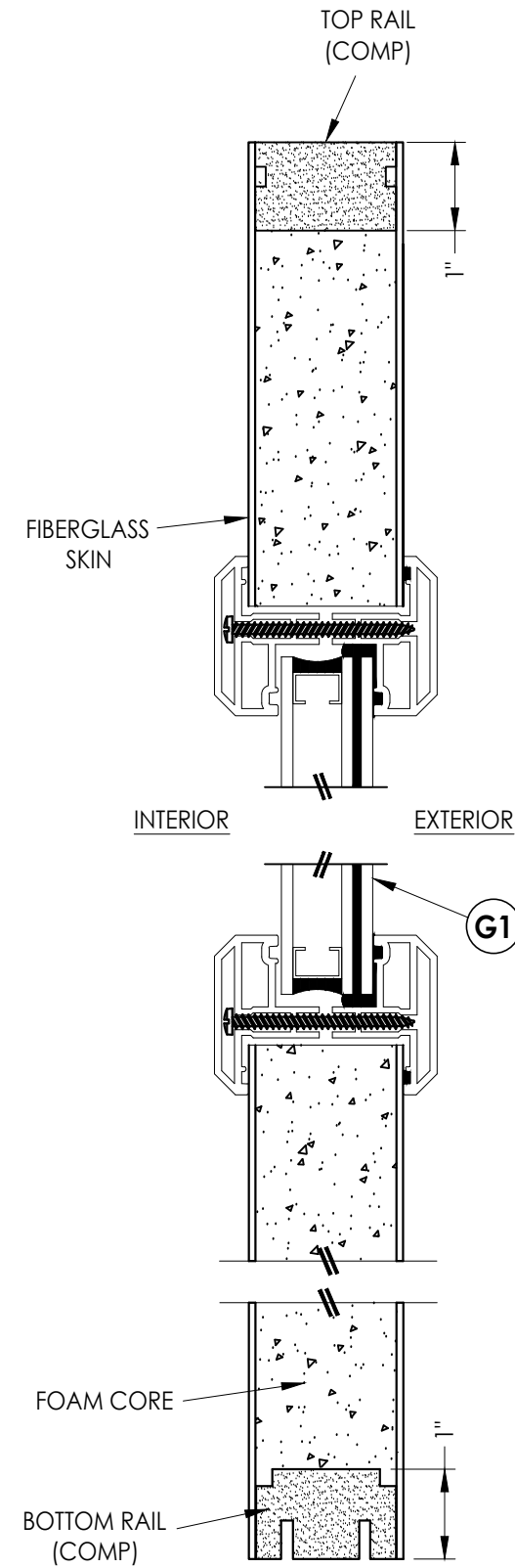
FIBERGLASS SKIN: 0.070" MIN. THK.  
FOAM CORE: POLYURETHANE (1.9 PCF MIN.)



**G1** GLAZING DETAIL  
FLAT ALUMINUM LITE FRAME



**2A** ODL FLAT ALUMINUM LITE FRAME  
1" GLAZING



**2**  
**3** VERTICAL CROSS SECTION

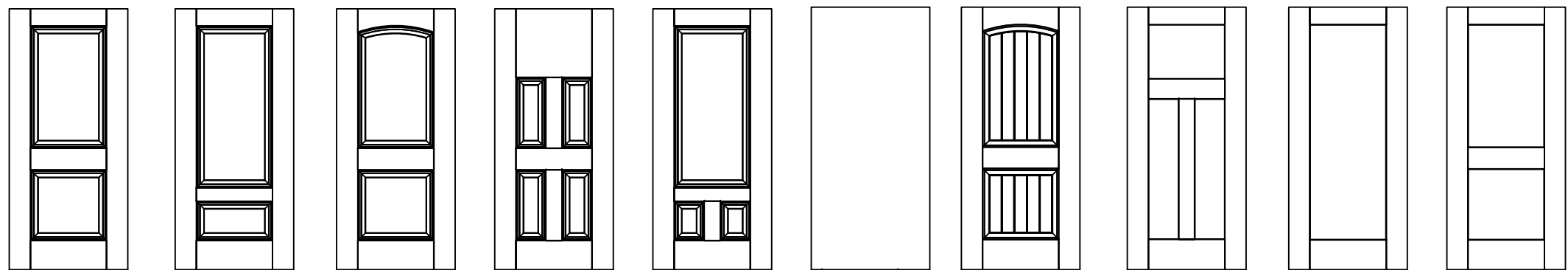
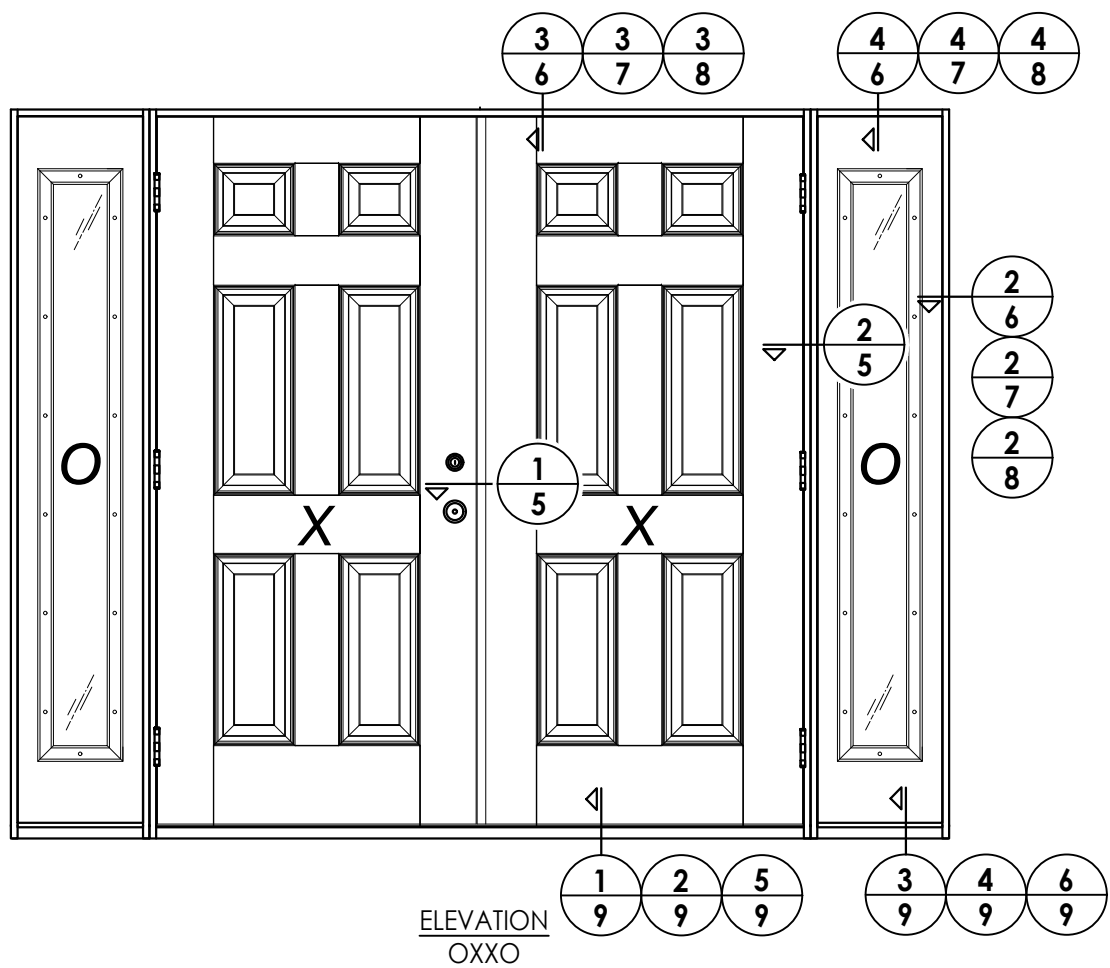
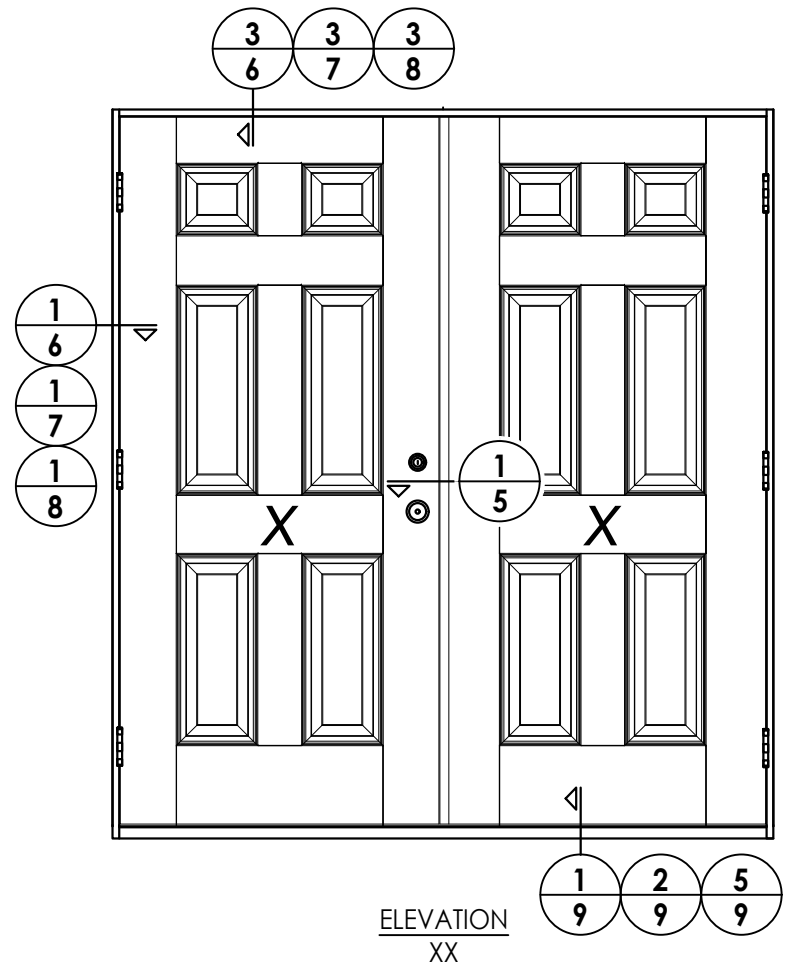
Documents Prepared By:  
Lyndon F. Schmidt  
P.E. No. 43409

*RW* BUILDING CONSULTANTS, INC.  
P.O. Box 230, Valrico, FL 33595  
Phone No.: 813.659.9197  
FBPE Registry No. 9813

PRODUCT:	ODL FIBERGLASS DOOR
PART OR ASSEMBLY:	LITE FRAME GLAZING DETAILS

NO.	DATE	BY	REVISIONS

DATE:	2/15/24
SCALE:	N.T.S.
DWG. BY:	LFS
CHK. BY:	RW
DRAWING NO.:	FL-46116.9
SHEET	3 OF 12



ALTERNATE DOOR PANELS

Documents Prepared By:  
Lyndon F. Schmidt  
P.E. No. 43409

*RW* BUILDING CONSULTANTS, INC.  
P.O. Box 230, Valrico, FL 33595  
Phone No.: 813.659.9197  
FBPE Registry No. 9813

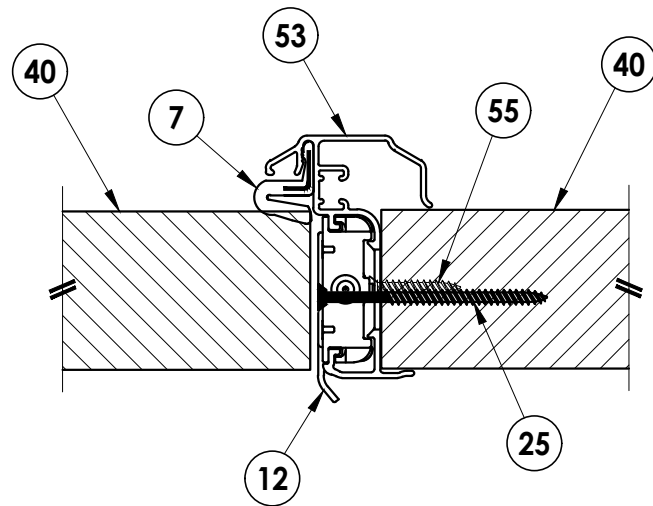
PRODUCT: ODL  
FIBERGLASS DOOR

PART OR ASSEMBLY:  
ELEVATIONS

NO.	DATE	BY

REVISIONS

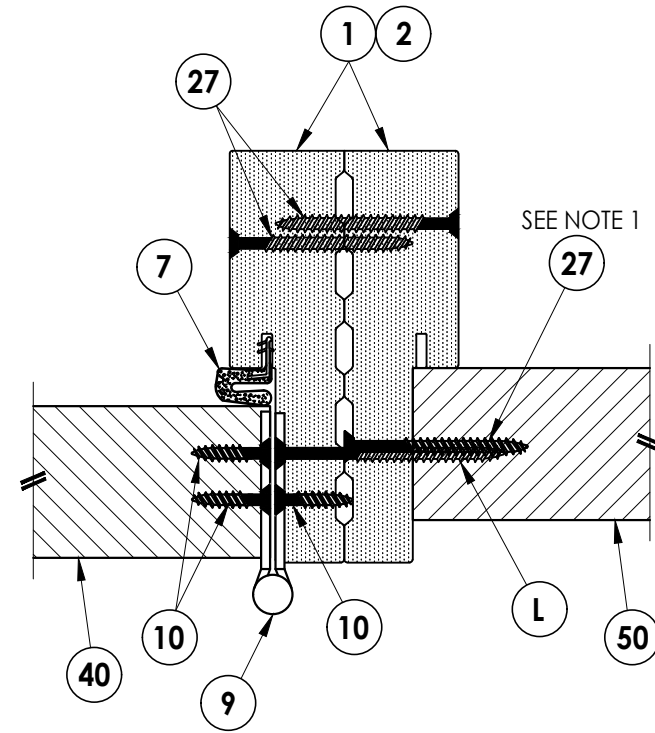
DATE: 2/15/24  
SCALE: N.T.S.  
DWG. BY: LFS  
CHK. BY: RW  
DRAWING NO.: FL-46116.9  
SHEET 4 OF 12



**1** HORIZONTAL CROSS SECTION  
**5** Outswing Shown (Inswing Similar)

INTERIOR

EXTERIOR



**2** HORIZONTAL CROSS SECTION  
**5** Outswing Shown (Inswing Similar)

Notes:

- 1. Sidelite assembly screws located 6" from each end and 4 more screws equally spaced between (6 screws total per side jamb).

Documents Prepared By:  
 Lyndon F. Schmidt  
 P.E. No. 43409

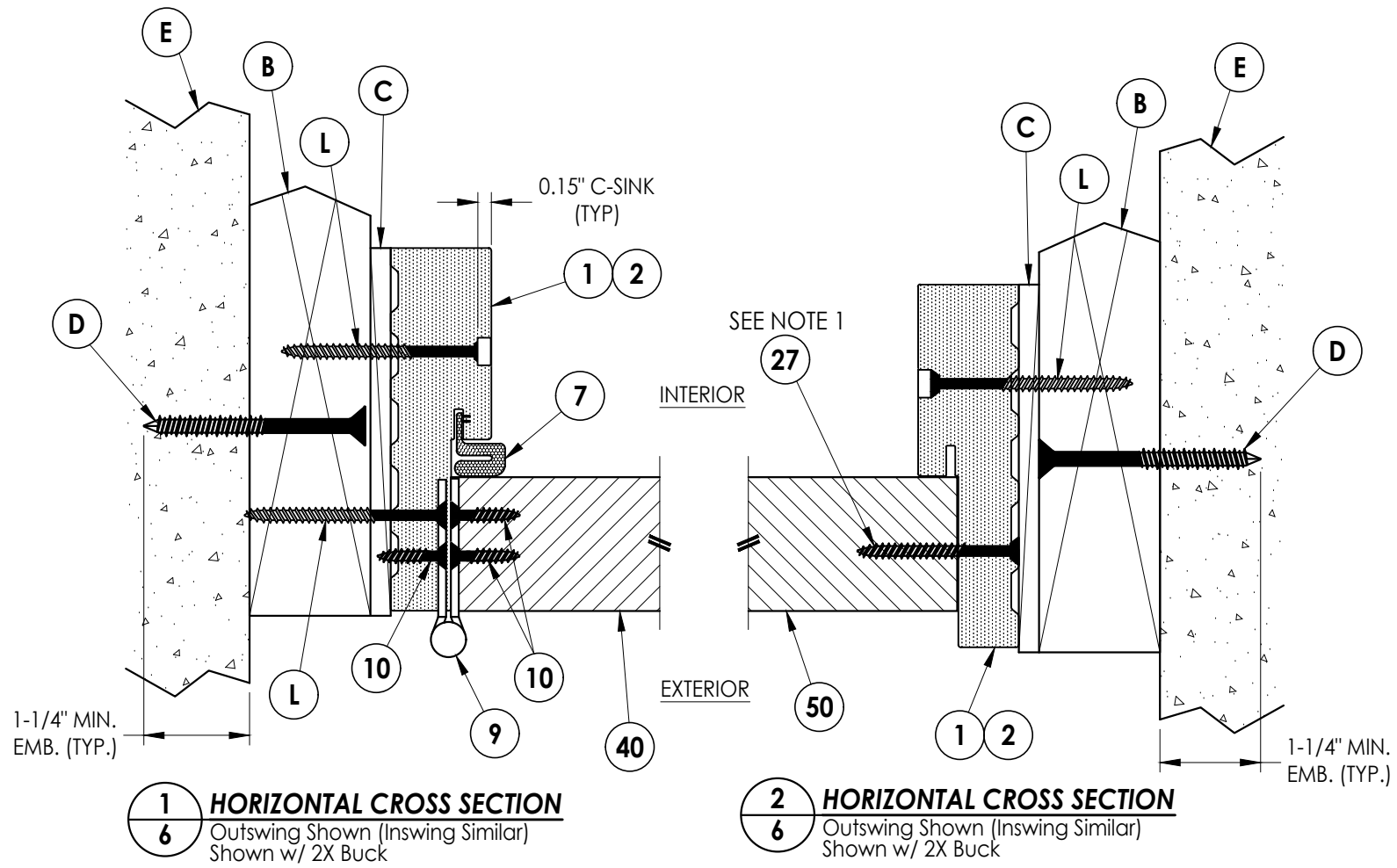
**RW** BUILDING CONSULTANTS, INC.  
 P.O. Box 230, Valrico, FL 33595  
 Phone No.: 813.659.9197  
 FBPE Registry No. 9813

PRODUCT: ODL  
 FIBERGLASS DOOR

PART OR ASSEMBLY:  
 HORIZONTAL  
 CROSS SECTIONS

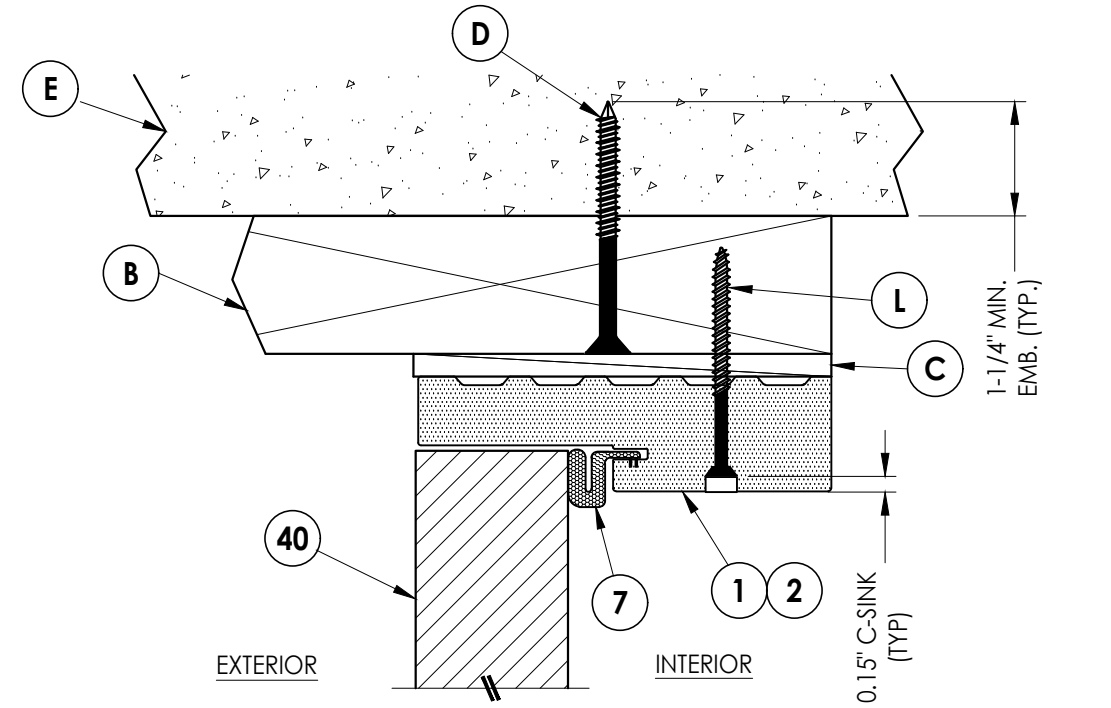
NO.	DATE	BY	REVISIONS

DATE: 2/15/24  
 SCALE: N.T.S.  
 DWG. BY: LFS  
 CHK. BY: RW  
 DRAWING NO.:  
 FL-46116.9  
 SHEET 5 OF 12

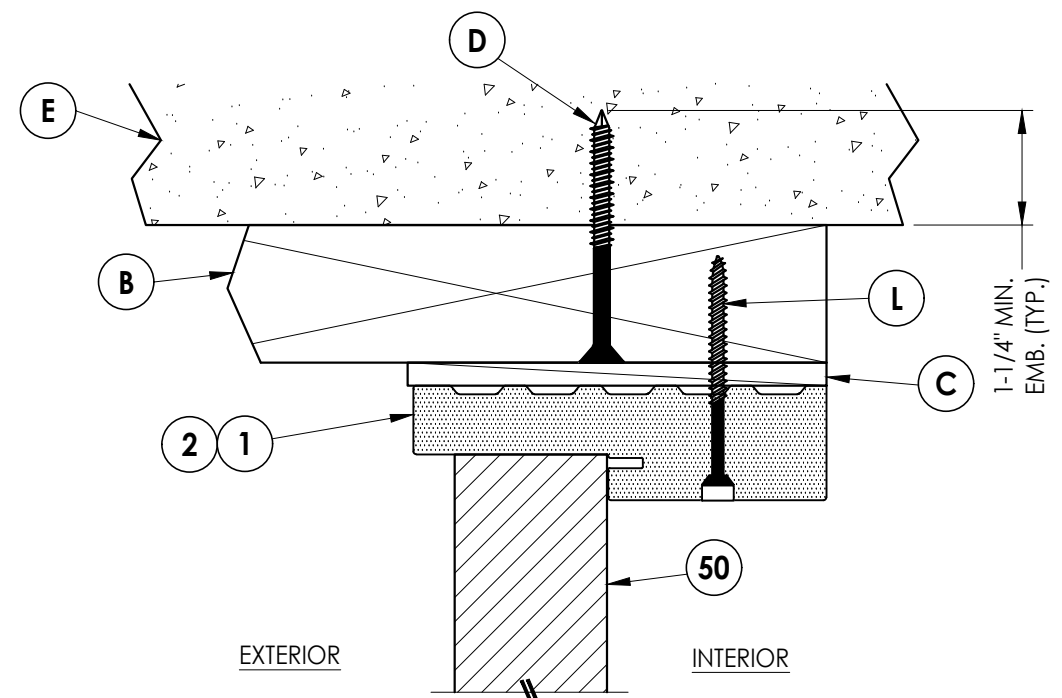


**1** **HORIZONTAL CROSS SECTION**  
**6** Outswing Shown (Inswing Similar)  
 Shown w/ 2X Buck

**2** **HORIZONTAL CROSS SECTION**  
**6** Outswing Shown (Inswing Similar)  
 Shown w/ 2X Buck



**3** **VERTICAL CROSS SECTION**  
**6** Outswing Shown (Inswing Similar)  
 Shown w/ 2X Buck



**4** **VERTICAL CROSS SECTION**  
**6** Outswing Shown (Inswing Similar)  
 Shown w/ 2X Buck

Note:  
 1. Sidelite assembly screws located 6" from each end and 4 more screws equally spaced between (6 screws total per side jamb).

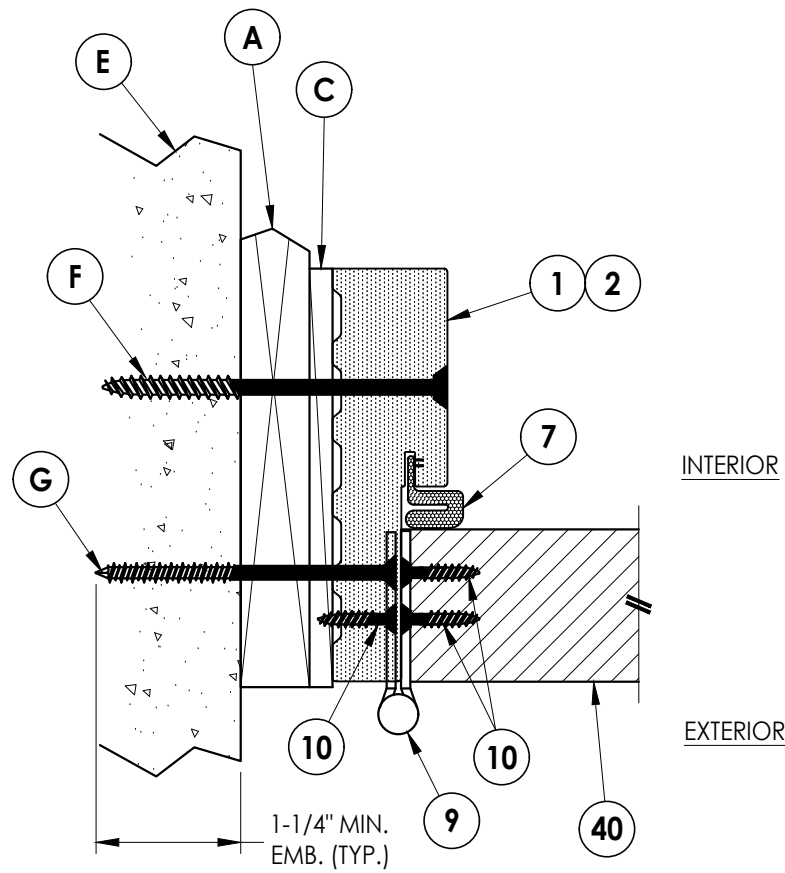
Documents Prepared By:  
 Lyndon F. Schmidt  
 P.E. No. 43409

**RW** BUILDING CONSULTANTS, INC.  
 P.O. Box 230, Valrico, FL 33595  
 Phone No.: 813.659.9197  
 FBPE Registry No. 9813

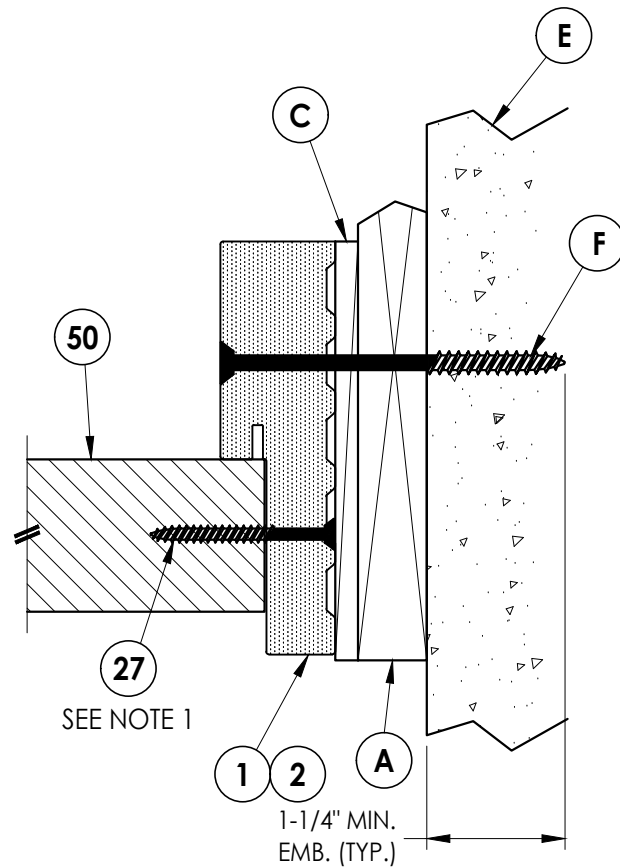
PRODUCT: ODL  
 FIBERGLASS DOOR  
 PART OR ASSEMBLY:  
 HORIZONTAL & VERTICAL  
 CROSS SECTIONS (2X BUCK)

NO.	DATE	BY	REVISIONS

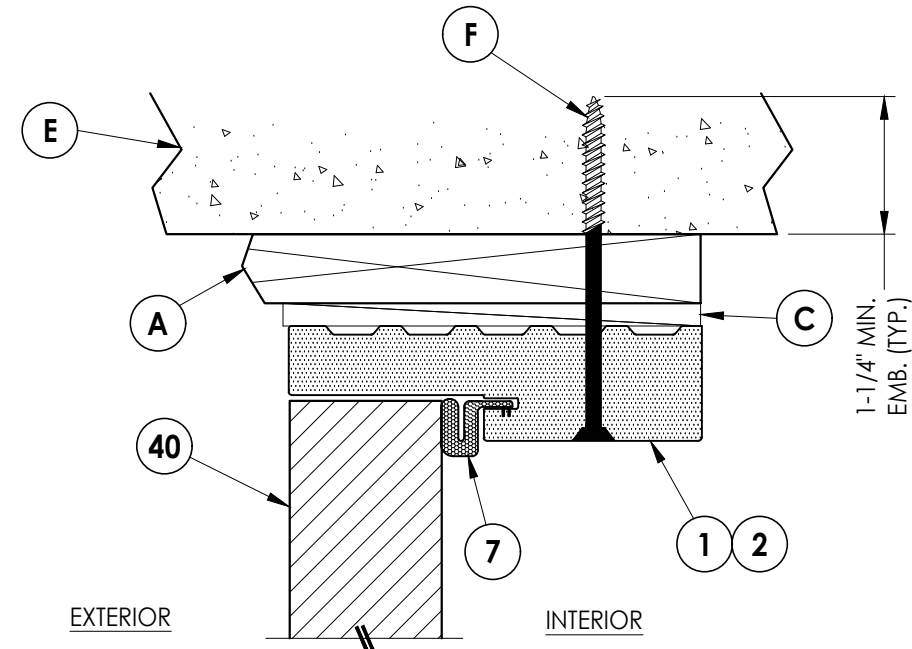
DATE: 2/15/24  
 SCALE: N.T.S.  
 DWG. BY: LFS  
 CHK. BY: RW  
 DRAWING NO.: FL-46116.9  
 SHEET 6 OF 12



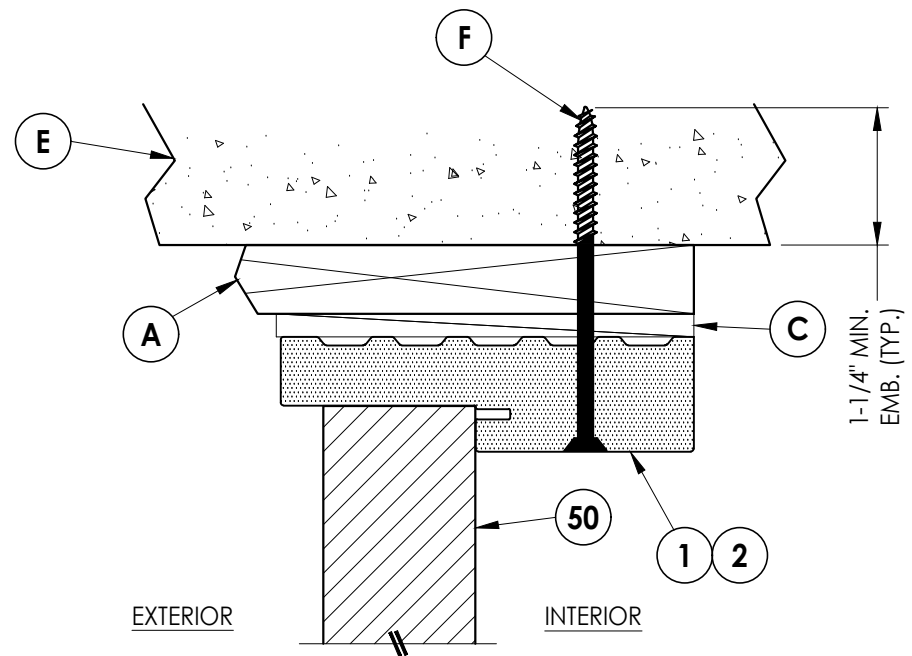
**1**  
**7** **HORIZONTAL CROSS SECTION**  
Outswing Shown (Inswing Similar)  
Shown w/ 1X Buck



**2**  
**7** **HORIZONTAL CROSS SECTION**  
Outswing Shown (Inswing Similar)  
Shown w/ 1X Buck



**3**  
**7** **VERTICAL CROSS SECTION**  
Outswing Shown (Inswing Similar)  
Shown w/ 1X Buck



**4**  
**7** **VERTICAL CROSS SECTION**  
Outswing Shown (Inswing Similar)  
Shown w/ 1X Buck

**Note:**

- Sidelite assembly screws located 6" from each end and 4 more screws equally spaced between (6 screws total per side jamb).

Documents Prepared By:  
Lyndon F. Schmidt  
P.E. No. 43409

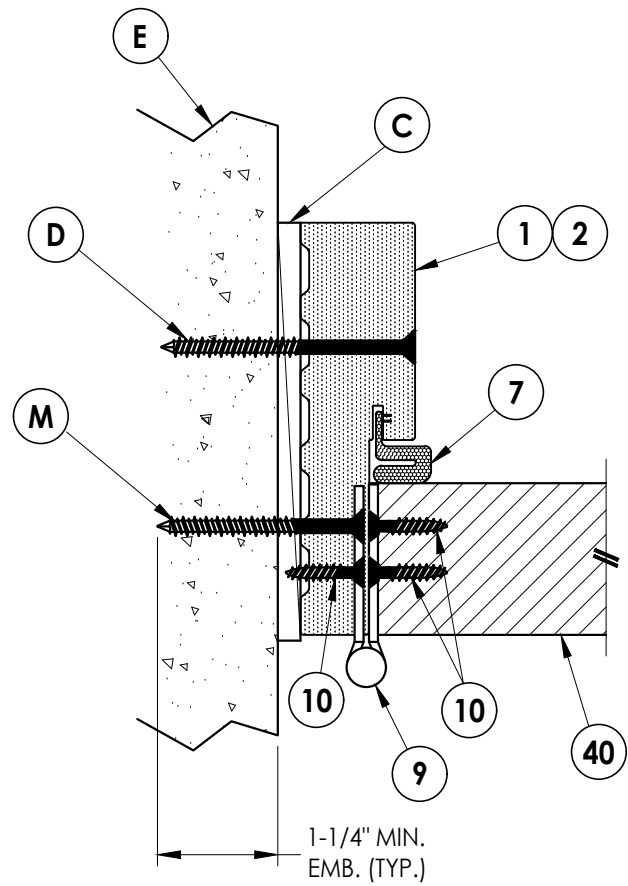
**RW** BUILDING CONSULTANTS, INC.  
P.O. Box 230, Valrico, FL 33595  
Phone No.: 813.659.9197  
FBPE Registry No. 9813

PRODUCT: ODL  
FIBERGLASS DOOR

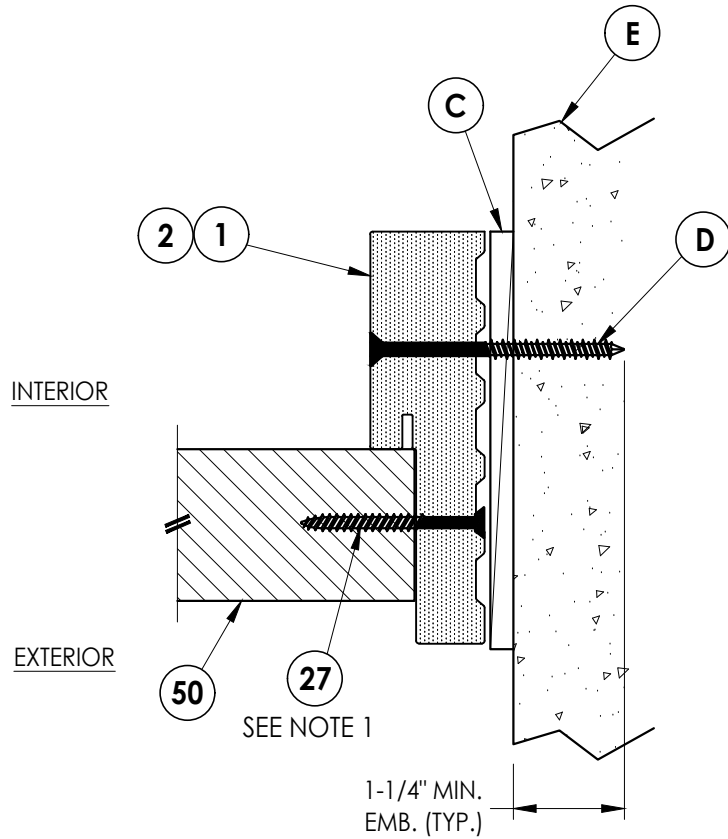
PART OR ASSEMBLY:  
HORIZONTAL & VERTICAL  
CROSS SECTIONS (1X BUCK)

NO.	DATE	BY

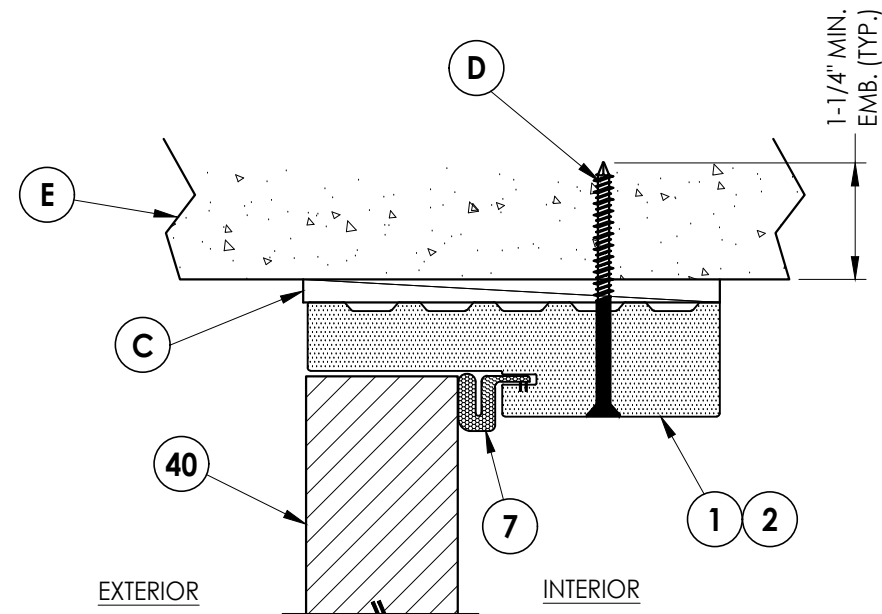
DATE: 2/15/24  
SCALE: N.T.S.  
DWG. BY: LFS  
CHK. BY: RW  
DRAWING NO.:  
FL-46116.9  
SHEET 7 of 12



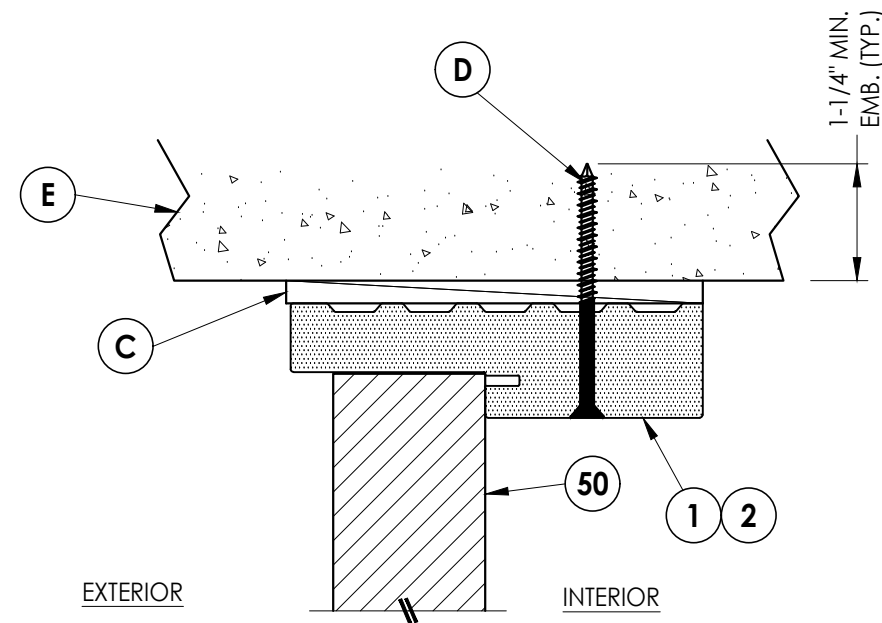
**1** **HORIZONTAL CROSS SECTION**  
**8** Outswing Shown (Inswing Similar)  
 Shown Direct to Masonry



**2** **HORIZONTAL CROSS SECTION**  
**8** Outswing Shown (Inswing Similar)  
 Shown Direct to Masonry



**3** **VERTICAL CROSS SECTION**  
**8** Outswing Shown (Inswing Similar)  
 Shown Direct to Masonry



**4** **VERTICAL CROSS SECTION**  
**8** Outswing Shown (Inswing Similar)  
 Shown Direct to Masonry

**Note:**

1. Sidelite assembly screws located 6" from each end and 4 more screws equally spaced between (6 screws total per side jamb).

Documents Prepared By:  
 Lyndon F. Schmidt  
 P.E. No. 43409

*RW* BUILDING CONSULTANTS, INC.  
 P.O. Box 230, Valrico, FL 33595  
 Phone No.: 813.659.9197  
 FBPE Registry No. 9813

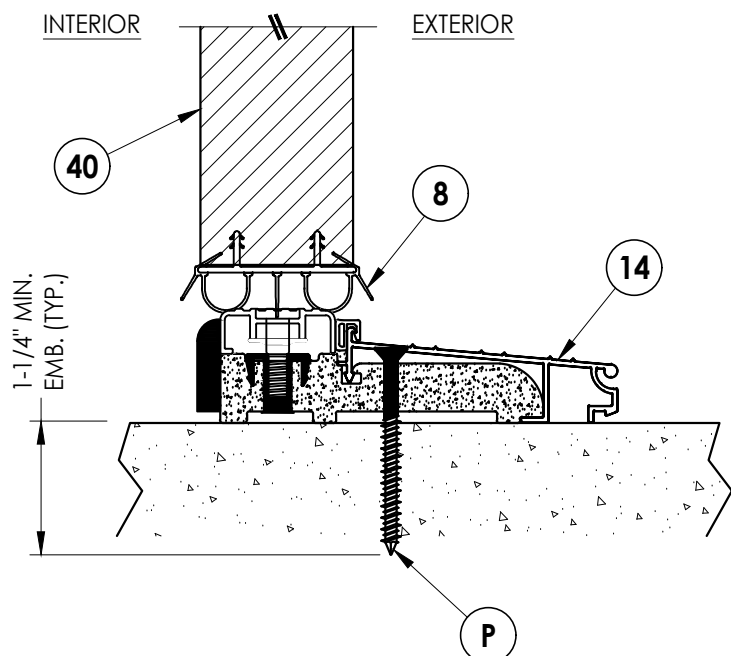
PRODUCT: ODL  
 FIBERGLASS DOOR  
 PART OR ASSEMBLY:  
 HORIZONTAL & VERTICAL CROSS  
 SECTIONS (DIRECT TO MASONRY)

NO.	DATE	BY	REVISIONS

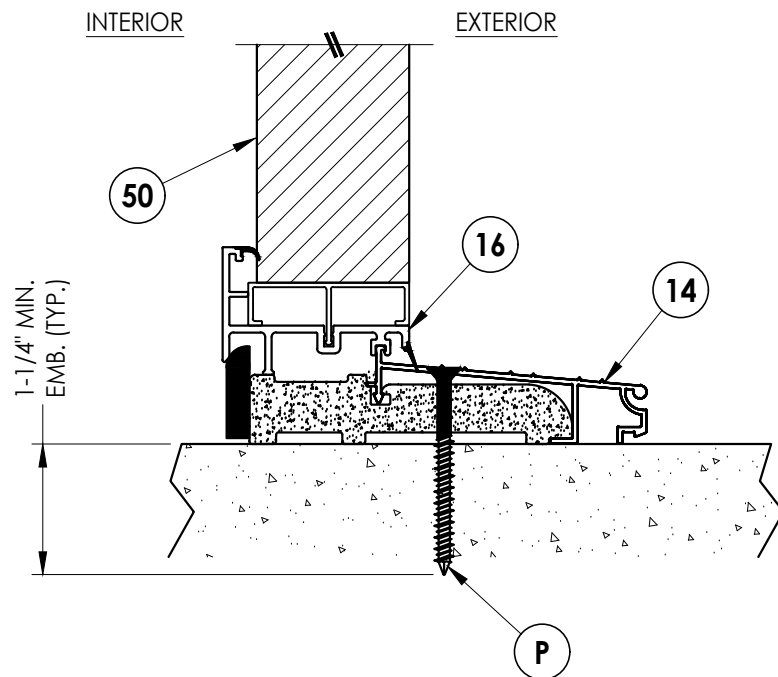
DATE: 2/15/24  
 SCALE: N.T.S.  
 DWG. BY: LFS  
 CHK. BY: RW  
 DRAWING NO.:  
 FL-46116.9  
 SHEET 8 OF 12



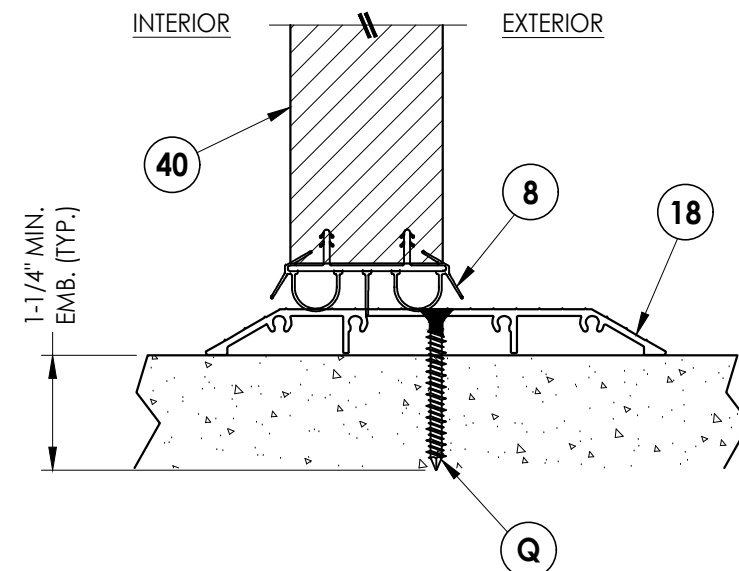
Z:\2023 FBC Drawings\ODL, Inc\FL-46116\FL-46116.9.dwg



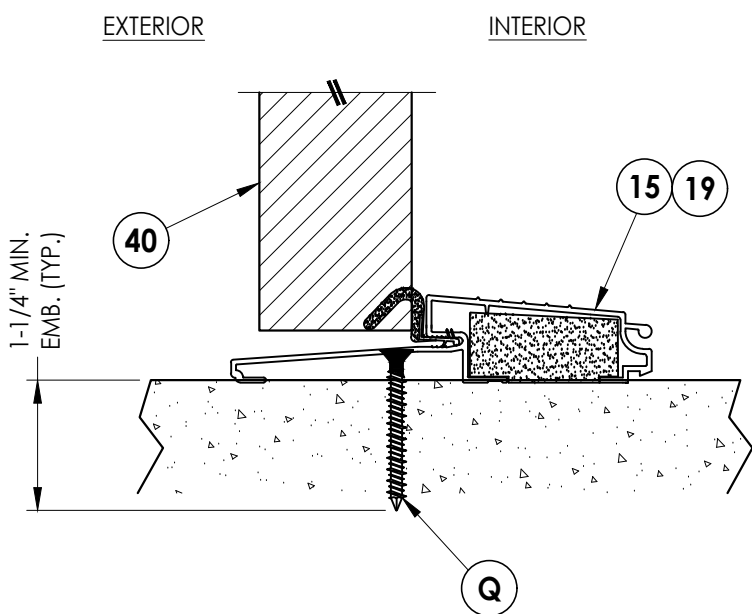
**1** VERTICAL CROSS SECTION  
9 Inswing Sill



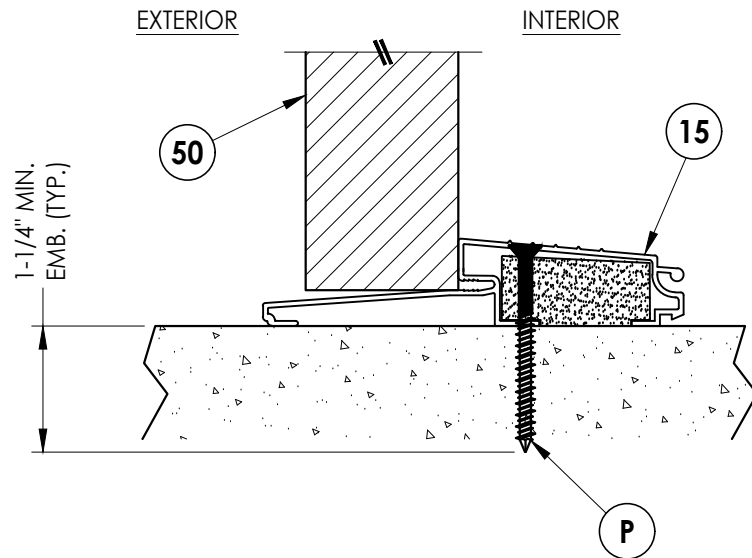
**3** VERTICAL CROSS SECTION  
9 Inswing Sill



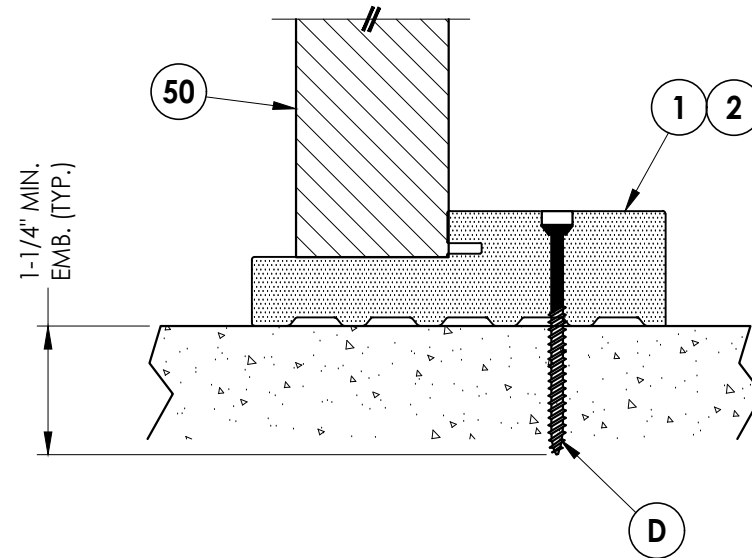
**5** VERTICAL CROSS SECTION  
9 ADA Sill



**2** VERTICAL CROSS SECTION  
9 Outswing Sill



**4** VERTICAL CROSS SECTION  
9 Outswing Sill



**6** VERTICAL CROSS SECTION  
9 Boxed Sidelite Sill

Documents Prepared By:  
Lyndon F. Schmidt  
P.E. No. 4-3409

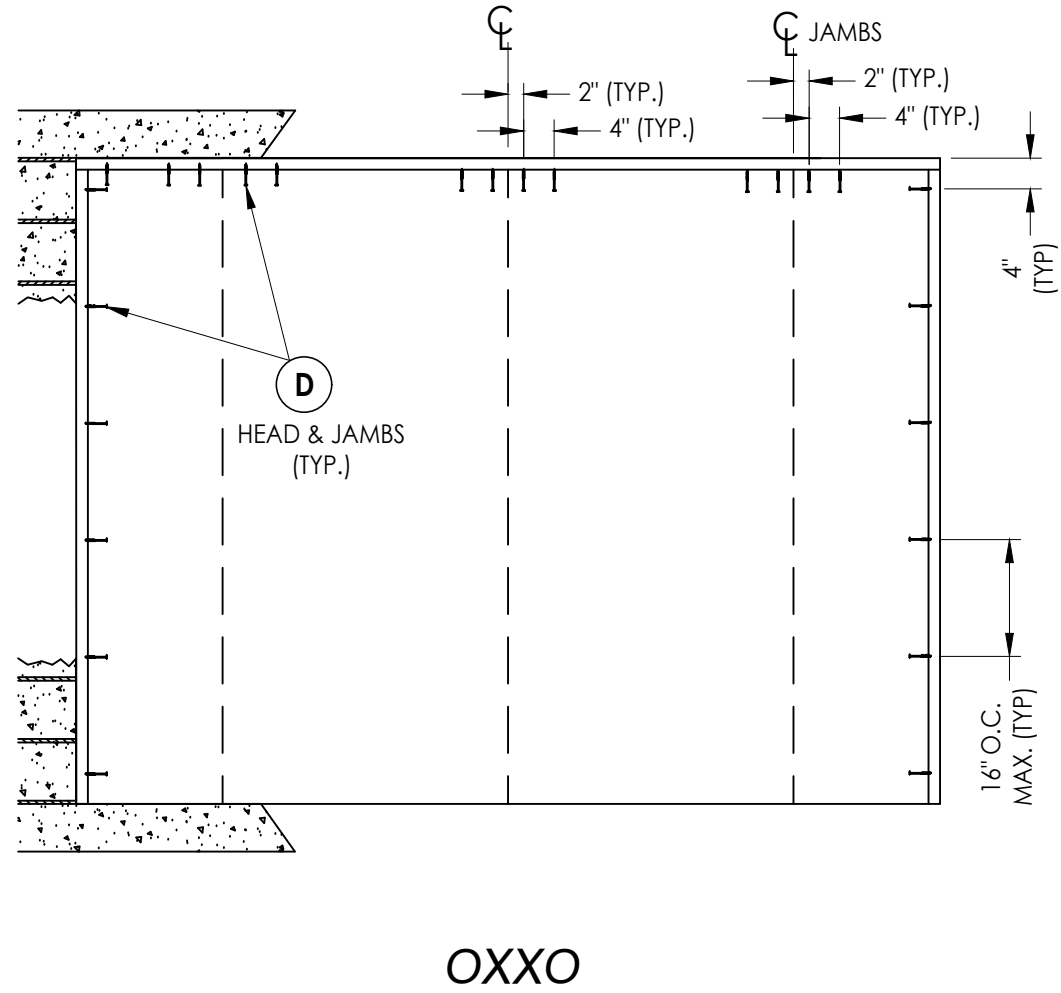
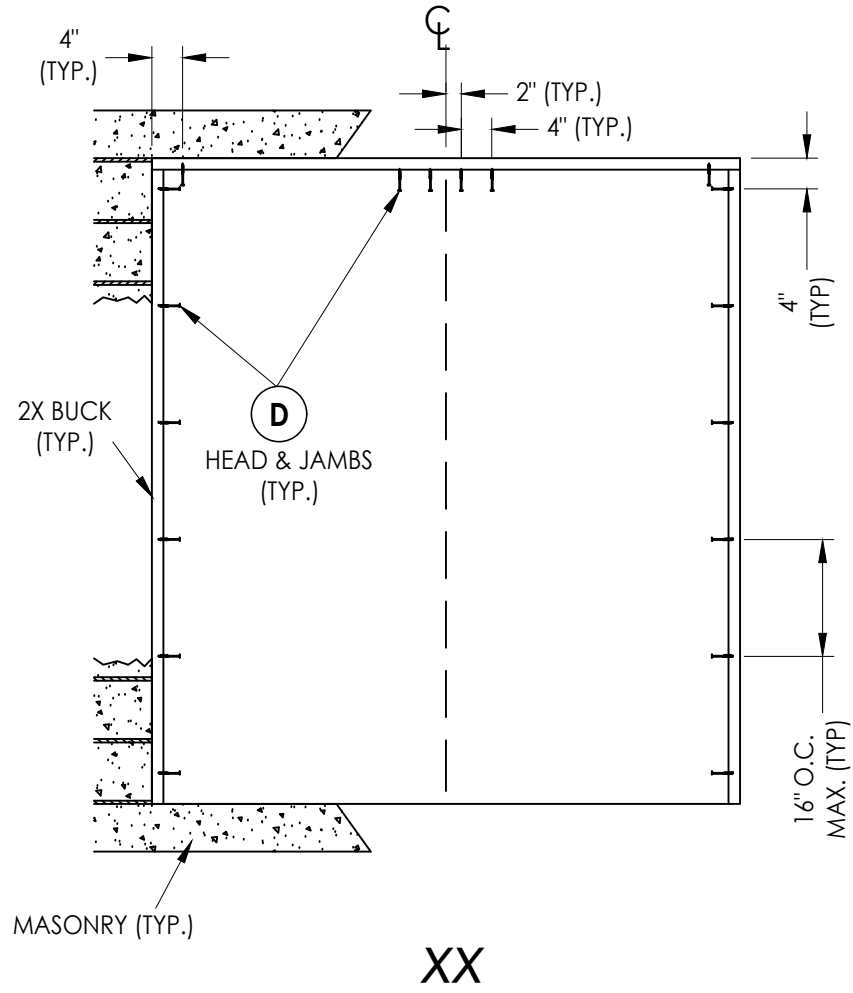
**RW** BUILDING CONSULTANTS, INC.  
P.O. Box 230, Valrico, FL 33595  
Phone No.: 813.659.9197  
FBPE Registry No. 9813

PRODUCT:	ODL FIBERGLASS DOOR
PART OR ASSEMBLY:	VERTICAL CROSS SECTIONS (THRESHOLDS)

NO.	DATE	BY	REVISIONS

DATE:	2/15/24
SCALE:	N.T.S.
DWG. BY:	LFS
CHK. BY:	RW
DRAWING NO.:	FL-46116.9
SHEET	9 OF 12

© 2024 R.W. BUILDING CONSULTANTS INC.



**2X BUCK ANCHORING**

Documents Prepared By:  
Lyndon F. Schmidt  
P.E. No. 43409

**RW** BUILDING CONSULTANTS, INC.  
P.O. Box 230, Vairico, FL 33595  
Phone No.: 813.659.9197  
FBPE Registry No. 9813

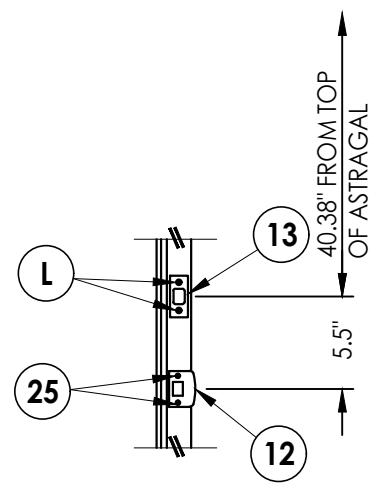
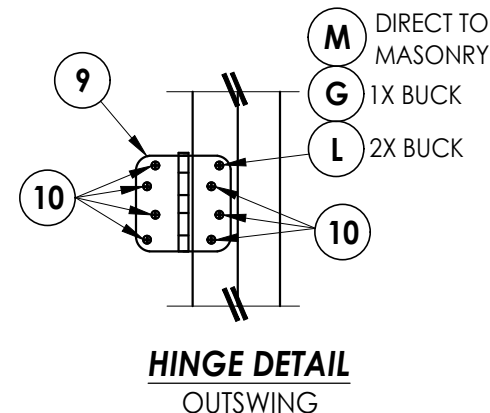
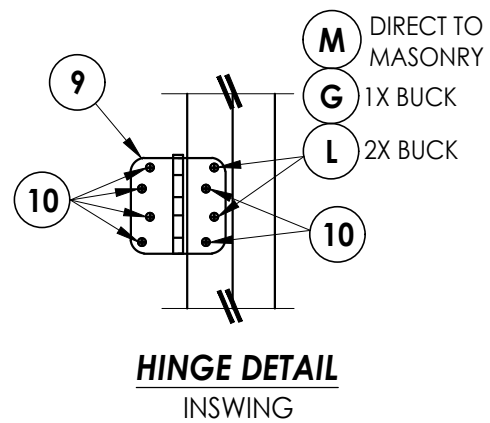
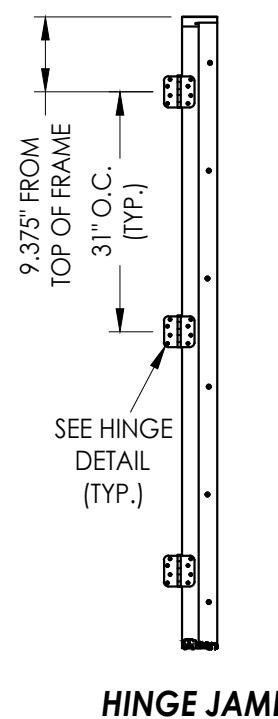
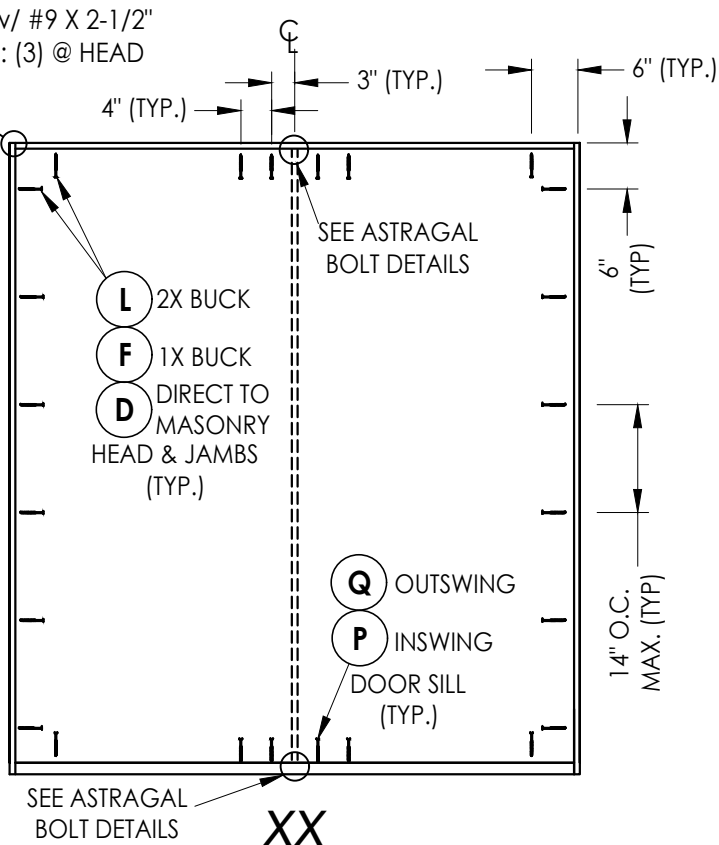
PRODUCT: ODL  
FIBERGLASS DOOR

PART OR ASSEMBLY:  
BUCK ANCHORING

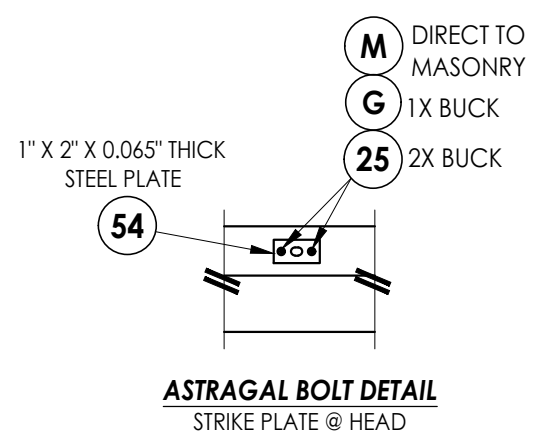
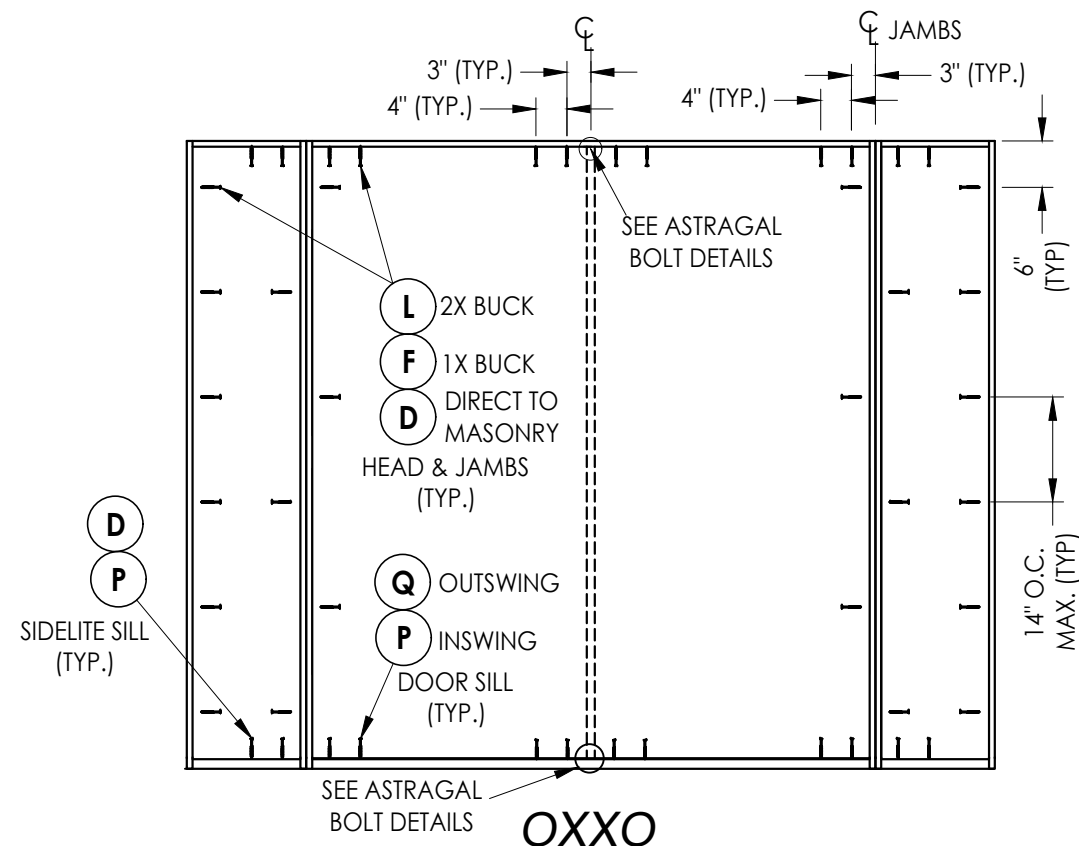
NO.	DATE	BY	REVISIONS

DATE: 2/15/24  
SCALE: N.T.S.  
DWG. BY: LFS  
CHK. BY: RW  
DRAWING NO.:  
FL-46116.9  
SHEET 10 OF 12

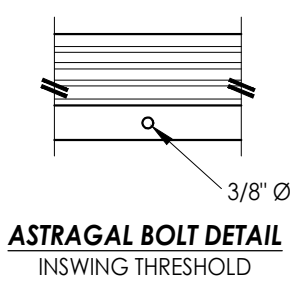
FRAME CORNERS ATTACHED w/ #9 X 2-1/2" DEEP THREAD WOOD SCREWS: (3) @ HEAD & (2) @ SILL (TYP.)



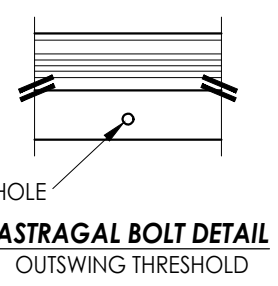
**LATCH & DEADBOLT STRIKE PLATE DETAILS**



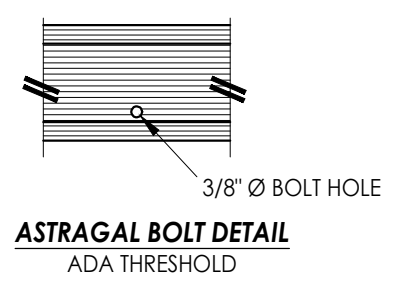
**ASTRAGAL BOLT DETAIL STRIKE PLATE @ HEAD**



**ASTRAGAL BOLT DETAIL INSWING THRESHOLD**



**ASTRAGAL BOLT DETAIL OUTSWING THRESHOLD**



**ASTRAGAL BOLT DETAIL ADA THRESHOLD**

**HARDWARE DETAILS**

**FRAME ANCHORING**

Documents Prepared By:  
Lyndon F. Schmidt  
P.E. No. 43409

**RW** BUILDING CONSULTANTS, INC.  
P.O. Box 230, Vairico, FL 33595  
Phone No.: 813.659.9197  
FBPE Registry No. 9813

PRODUCT: OD  
FIBERGLASS DOOR

PART OR ASSEMBLY:  
FRAME ANCHORING & HARDWARE DETAILS

NO.	DATE	BY	REVISIONS

DATE: 2/15/24  
SCALE: N.T.S.  
DWG. BY: LFS  
CHK. BY: RW  
DRAWING NO.: FL-46116.9  
SHEET 11 OF 12

